

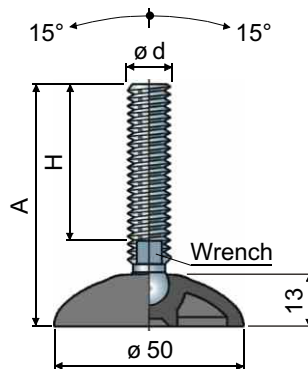
Articulated feet

base in reinforced polyamide



Ø 50

Part. 15

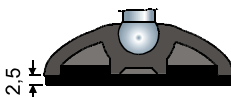


ø d	A mm	H mm	Wrench mm	Spindle in zinc plated steel	Spindle in stainless steel AISI 304	Max static load N
				Code/Codice	Code/Codice	
M8	68	45	6	15 / 7396	15 / 7397	11000
	88	65	6	15 / 7398	15 / 7399	
	130	107	6	15 / 7896	15 / 7897	
M10	60	35	8	15 / 7018	15 / 7019	12000
	95	70	8	15 / 7020	15 / 7021	
	140	115	8	15 / 7022	15 / 7023	
M12	70	43	10	15 / 7024	15 / 7025	13000
	90	63	10	15 / 7026	15 / 7027	
	105	77	10	15 / 7400	15 / 7401	
	120	93	10	15 / 7028	15 / 7029	
	150	123	10	15 / 7030	15 / 7031	
M14	90	61	12	15 / 7032	15 / 7033	14000
	120	91	12	15 / 7034	15 / 7035	
	145	116	12	15 / 7886	15 / 7887	

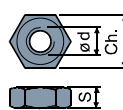
Base material: reinforced polyamide.
Packaging: 24 pieces.

Accessories

Anti-slip pads:
 - code: 7264;
 - material: PVC rubber (black);
 - packaging: 24 pieces.

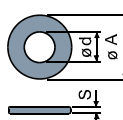


Nuts UNI 5588-65 - Packaging: 24 pieces.



ø d	M8	M10	M12	M14
Smm	6,5	8	10	11
Ch. mm	13	17	19	22
Zinc plated steel code	7634	7269	7270	7271
Stainless steel code	7635	7272	7273	7274

Washers UNI 6592-69 Packaging: 24 pieces.



ø d mm	8,4	10,5	13	15
Smm	1,6	2	2,5	2,5
ø A mm	17	21	24	28
Zinc plated steel code	7636	7283	7284	7285
Stainless steel code	7637	7286	7287	7288

On request

Bases: In reinforced polypropylene • other colours.
Spindles with: Sunk hexagon head • second wrench seat head • hexagon wrench seat • threads with other pitches and lengths.
Packaging: not standard.
Assembling of: Anti-slip pads • nuts • washers.