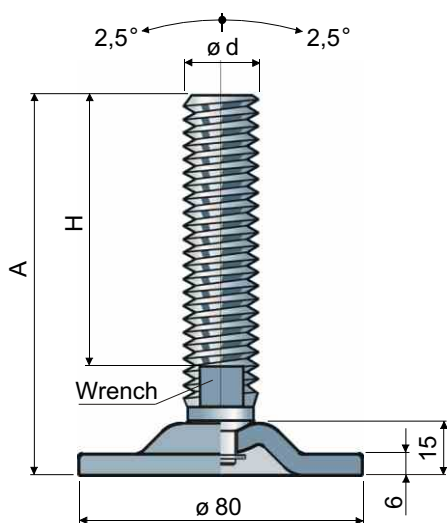


Articulated feet base in steel

Part. **81** **Ø 80**



$\varnothing d$	A mm	H mm	Wrench mm	Spindle and base in zinc plated steel	Max static load N
M 24	120	85	19	Code/Codice	
				81 / 80214	40000

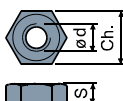
Material: Base and spindle in zinc plated steel

Packaging: 8 pieces.

Accessories

Nuts UNI 5588-65 -

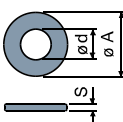
Packaging: 24 pieces.



$\varnothing d$	M24
Smm	19
Ch. mm	36
Zinc plated steel code	7279

Washers UNI 6592-69 -

Packaging: 24 pieces.



$\varnothing d$ mm	25
Smm	4
$\varnothing A$ mm	44
Zinc plated steel code	7293

On request

Spindles with: Sunk hexagon head • second wrench seat head • hexagon wrench seat • threads with other pitches and lengths.

Packaging: not standard.

Assembling of: nuts • washers.