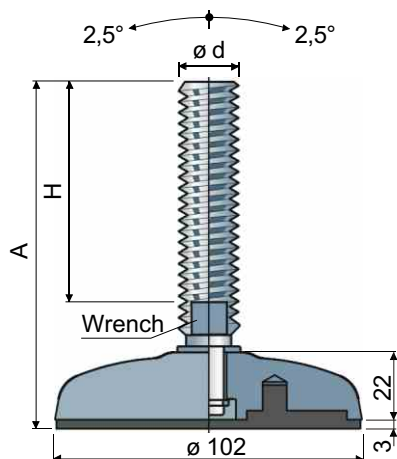




Articulated feet base in nickel plated steel

Part. **97** \varnothing **102**



$\varnothing d$	A mm	H mm	Wrench mm	Spindle in zinc plated steel	Spindle in stainless steel AISI 304	Max static load N
				Code/Codice	Code/Codice	
M16	101	58	13	97 / 7550	97 / 7551	50000
	162	119	13	97 / 7912	97 / 7913	
	188	145	13	97 / 7182	97 / 7183	
	244	201	13	97 / 7184	97 / 7185	
M20	153	107	17	97 / 7186	97 / 7187	51000
	181	135	17	97 / 7552	97 / 7553	
	203	157	17	97 / 7188	97 / 7189	
	139	90	19	97 / 7190	97 / 7191	
M24	176	127	19	97 / 7554	97 / 7555	52000
	211	162	19	97 / 7192	97 / 7193	


Base material: nickel plated steel.

Packaging: 8 pieces.


Features: The feet is complete with anti-slip pad made out of P.V.C rubber.

Accessories

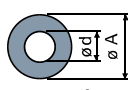
Nuts UNI 5588-65 - **Packaging:** 24 pieces.




$\varnothing d$	M16	M20	M24
Smm	13	16	19
Ch. mm	24	30	36
Zinc plated steel code	7275	7276	7279
Stainless steel code	7277	7278	7280



Washers UNI 6592-69 - **Packaging:** 24 pieces.



$\varnothing d$ mm	17	21	25
Smm	3	3	4
$\varnothing A$ mm	30	37	44
Zinc plated steel code	7289	7290	7293
Stainless steel code	7291	7292	7294



On request

Spindles with: Sunk hexagon head • second wrench seat head • hexagon wrench seat • threads with other pitches and lengths.

Packaging: not standard.

Assembling of: nuts • washers.