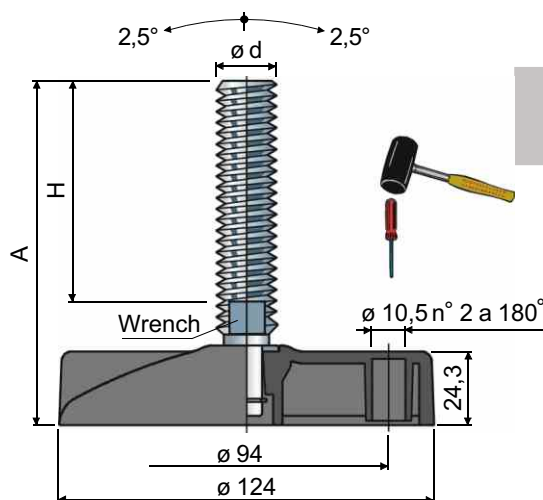


Articulated feet base in reinforced polyamide



Ø 124 Part. 89

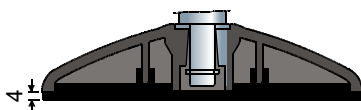
ø d	A mm	H mm	Wrench mm	Spindle in zinc plated steel	Spindle in stainless steel AISI 304	Max static load N
				Code/Codice	Code/Codice	
M16	100	58	13	89 / 7504	89 / 7505	43000
	161	119	13	89 / 7906	89 / 7907	
	187	145	13	89 / 7166	89 / 7167	
	243	201	13	89 / 7168	89 / 7169	
M20	152	107	17	89 / 7170	89 / 7171	45000
	180	135	17	89 / 7506	89 / 7507	
	202	157	17	89 / 7172	89 / 7173	
M24	138	90	19	89 / 7174	89 / 7175	47000
	175	127	19	89 / 7508	89 / 7509	
	210	162	19	89 / 7176	89 / 7177	
M30	173	125	24	89 / 7178	89 / 7179	50000
	233	185	24	89 / 7180	89 / 7181	

Base material: reinforced polyamide.
Packaging: 8 pieces.

Accessories

Anti-slip pads:

- code: 7268;
- material: PVC rubber (black);
- packaging: 8 pieces.



Nuts UNI 5588-65 - Packaging: 24 pieces.

ø d	M16	M20	M24	M30
Smm	13	16	19	24
Ch. mm	24	30	36	46
Zinc plated steel code	7275	7276	7279	7281
Stainless steel code	7277	7278	7280	7282

Washers UNI 6592-69 - Packaging: 24 pieces.

ø d mm	17	21	25	31
Smm	3	3	4	4
ø A mm	30	37	44	56
Zinc plated steel code	7289	7290	7293	7295
Stainless steel code	7291	7292	7294	7296

On request

- Bases:** In reinforced polypropylene • other colours • with prebored fixing holes.
- Spindles with:** Sunk hexagon head • second wrench seat head • hexagon wrench seat • threads with other pitches and length.
- Packaging:** not standard.
- Assembling of:** Anti-slip pads • nuts • washers.