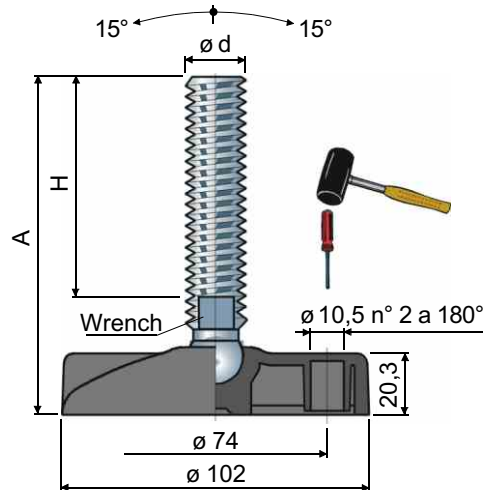


# Articulated feet

base in reinforced polyamide



**Ø 102 Part. 38**

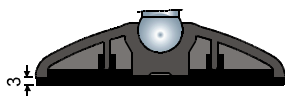
Ø d	A mm	H mm	Wrench mm	Spindle in zinc plated steel	Spindle in stainless steel AISI 304	Max static load N
				Code/Codice	Code/Codice	
M16	100	60	13	38 / 7110	38 / 7111	22000
	130	90	13	38 / 7474	38 / 7475	
	145	105	13	38 / 7112	38 / 7113	
	165	125	13	38 / 7114	38 / 7115	
	195	155	13	38 / 7476	38 / 7477	
M20	205	165	13	38 / 7116	38 / 7117	24000
	130	86	17	38 / 7118	38 / 7119	
	160	116	17	38 / 7120	38 / 7121	
	185	141	17	38 / 7122	38 / 7123	
M24	250	206	17	38 / 7124	38 / 7125	26000
	140	96	19	38 / 7478	38 / 7479	
	166	122	19	38 / 7126	38 / 7127	
	196	152	19	38 / 7128	38 / 7129	
	226	182	19	38 / 7130	38 / 7131	
	344	300	19	38 / 7484	38 / 7485	

**Base material:** reinforced polyamide.  
**Packaging:** 24 pieces.

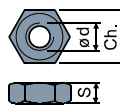
## Accessories

### Anti-slip pads:

- code: 7267;
- material: PVC rubber (black);
- packaging: 24 pieces.

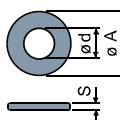


### Nuts UNI 5588-65 - Packaging: 24 pieces.



Ø d	M16	M20	M24
Smm	13	16	19
Ch. mm	24	30	36
Zinc plated steel code	7275	7276	7279
Stainless steel code	7277	7278	7280

### Washers UNI 6592-69 - Packaging: 24 pieces.



Ø d mm	17	21	25
Smm	3	3	4
Ø A mm	30	37	44
Zinc plated steel code	7289	7290	7293
Stainless steel code	7291	7292	7294

## On request

**Bases:** In reinforced polypropylene • other colours • with prebored fixing holes.

**Spindles with:** Sunk hexagon head • second wrench seat head • hexagon wrench seat • threads with other pitches and lengths.

**Packaging:** not standard.

**Assembling of:** Anti-slip pads • nuts • washers.