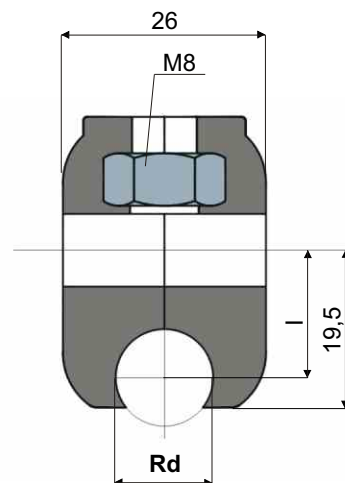
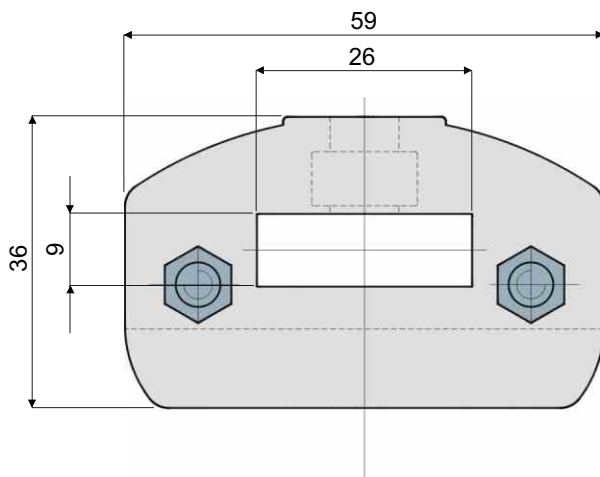


Guide rail clamp

(for round rail)

Part. **231**



Rd	l	Code/Codice
Rail diameter (mm)		
8	16	231 / 80749
10	15	231 / 80788
12	15	231 / 80687
14	15	231 / 80787

MATERIALS: Clamp made out of reinforced polyamide, screws made out of stainless steel AISI 304, nuts made out of nickel plated brass.

FEATURES: To use with flat support with sizes 25x8

PACKAGING: 24 pieces.

ON REQUEST:

Clamps: In reinforced polypropylene, other colours.

Packaging: Not standard.