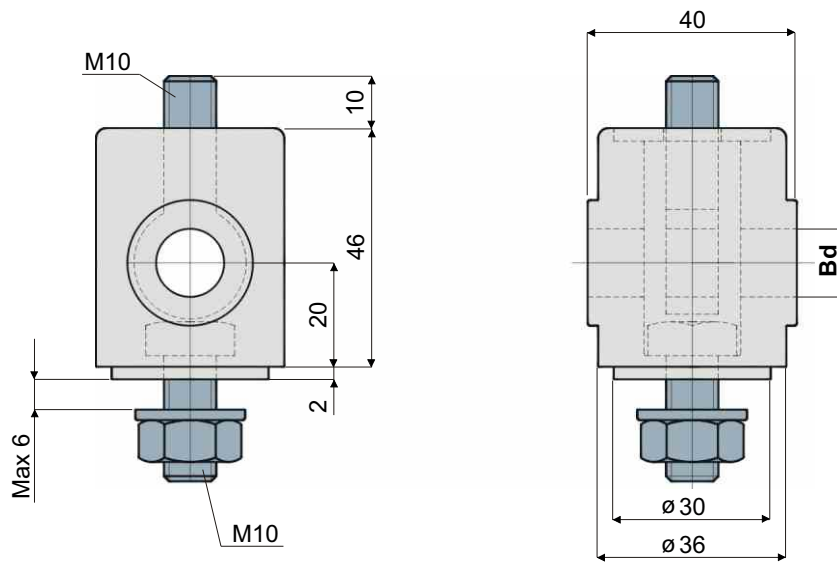


Head for bracket

Part. **221**



Bd Bore for pin of (mm)	Code/Codice
12	221 / 80668
14	221 / 80669
16	221 / 80670

MATERIALS: Head made out of reinforced polyamide, eyebolt made out of nickel plated brass, screw, nut and washers made out of stainless steel AISI 304.

FEATURES: To use with bracket Part.220. Max tightening torque 4 Kgm.

PACKAGING: 24 pieces.

ON REQUEST :

Heads: Heads made out of reinforced polypropylene, other colours.

Packaging: Not standard