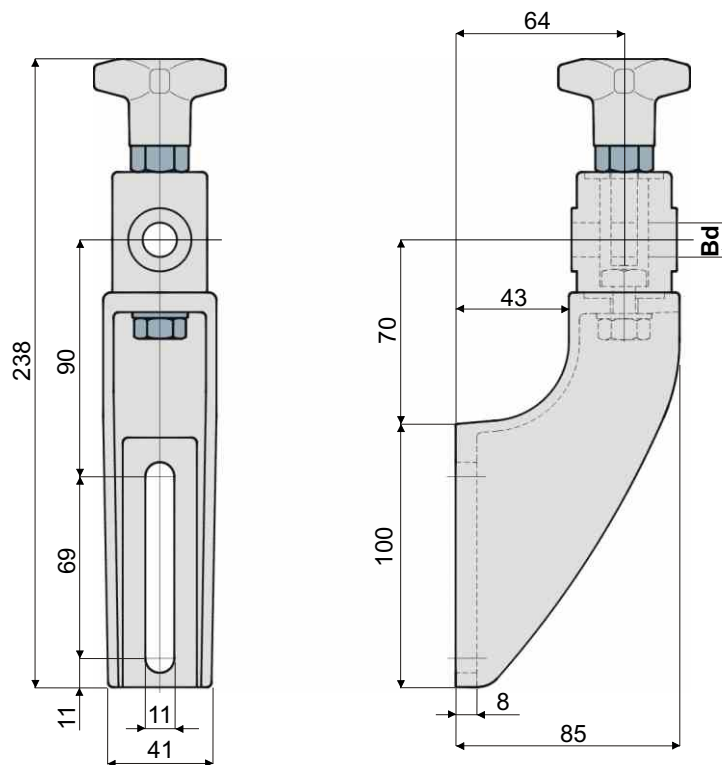


Guide rail bracket (with adjustable head)

Part. **215**



Bd Bore for pin of (mm)	Code/Codice
12	215 / 80658
14	215 / 80659
16	215 / 80660

MATERIALS: Bracket, head, and knob made out of reinforced polyamide, eyebolt and exagonal insert made out of nickel plated brass, screw, nut and washer made out of stainless steel AISI 304.

FEATURES: Max tightening torque 4 kgm.

PACKAGING: 24 pieces.

ON REQUEST:

Brackets: In reinforced polypropylene, other colours.

Packaging: Not standard.