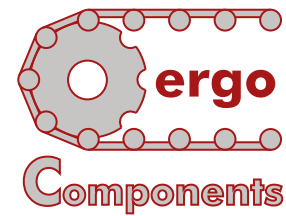
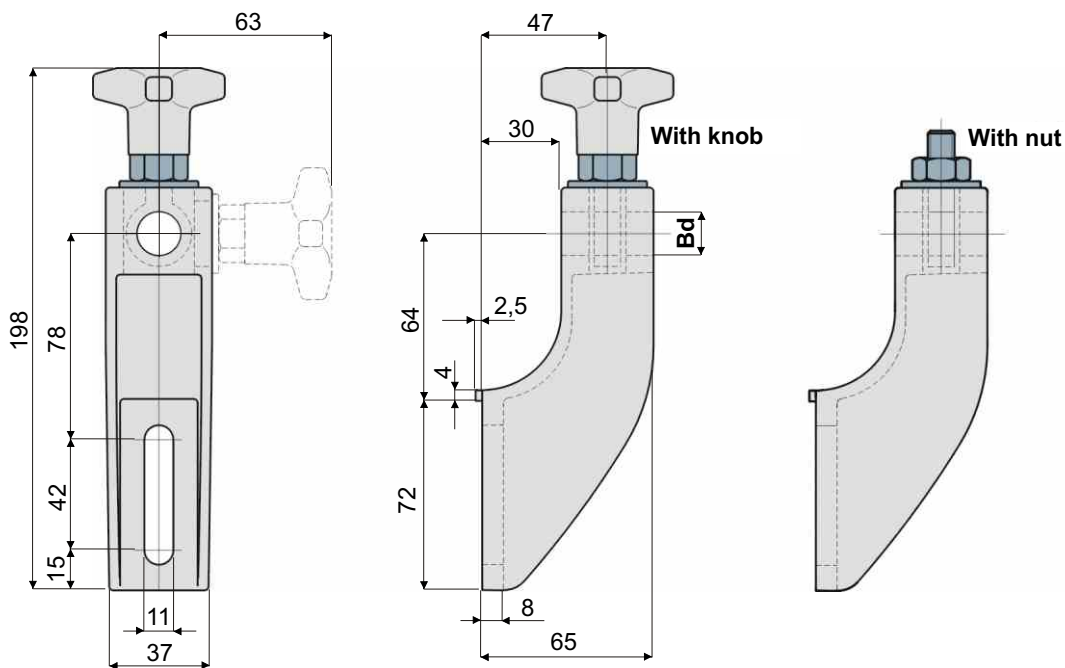
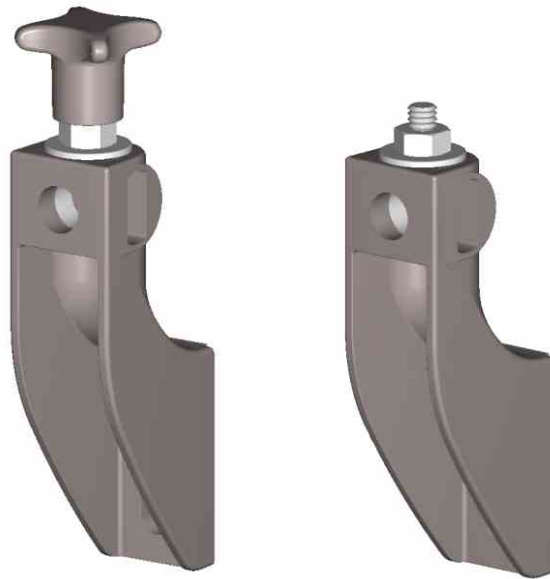


Guide rail bracket



Part. 213



Bd Bore for pin of (mm)	With knob Code/Codice	With nut Code/Codice
12	213 / 80652	213 / 80653
14	213 / 80654	213 / 80655
16	213 / 80656	213 / 80657

MATERIALS: Bracket and knob made out of reinforced polyamide, eyebolt and exagonal insert made out of nickel plated brass, nut and washer made out of stainless steel AISI 304.

FEATURES: Max tightening torque 4 kgm.

PACKAGING: 24 pieces.

ON REQUEST:

Brackets: In reinforced polypropylene, other colours.

Packaging: Not standard.