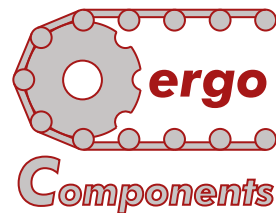
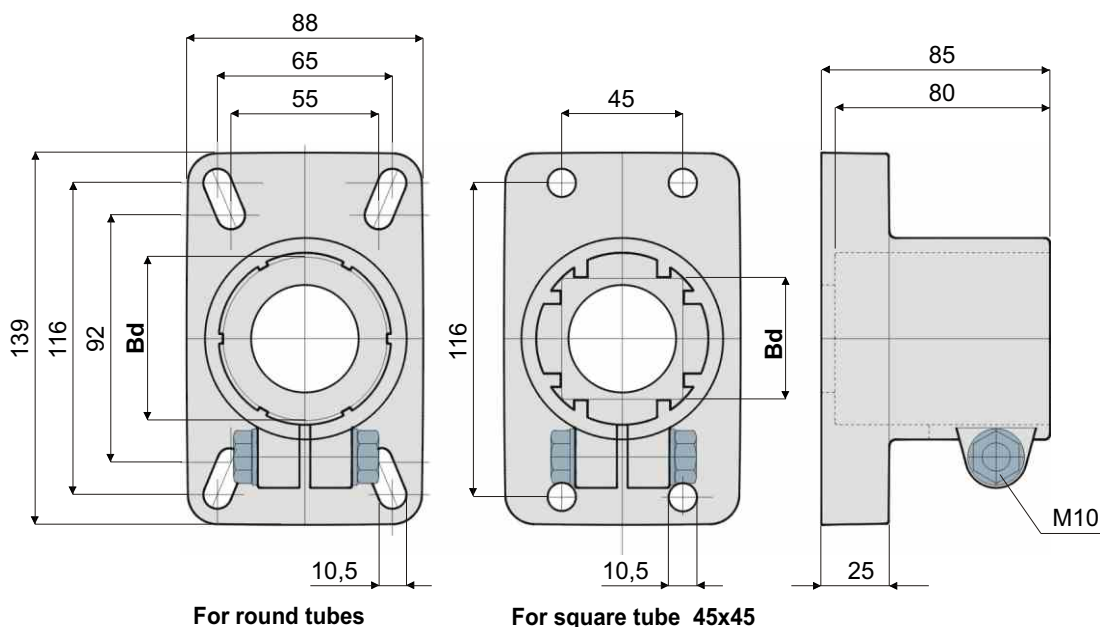


# Bearing head



Part. 208



Bd		Zinc plated bolts and nuts	Stainless steel bolts and nuts (AISI 304)
Bore for tube of		Code/Codice	Code/Codice
(mm)	(Inches)		
60,3	2"	208 / 80764	208 / 80765
48,3	1"1/2	208 / 80766	208 / 80767
42,4	1"1/4	208 / 80768	208 / 80769
45x45	square tube	208 / 80770	208 / 80771

**MATERIALS:** Bearing head made out of reinforced polyamide, bolts and nuts made out of stainless steel or zinc plated steel.

**FEATURES:** Max tightening torque 3,6 kgm.

**PACKAGING:** 8 pieces.

## ON REQUEST :

**Bearing head:** In reinforced polypropylene, other colours.

**Packaging:** Not standard.

**Assembling of:** Screws, nuts, washers.