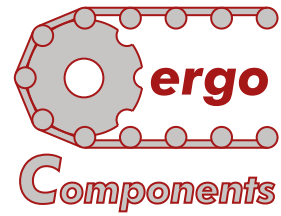
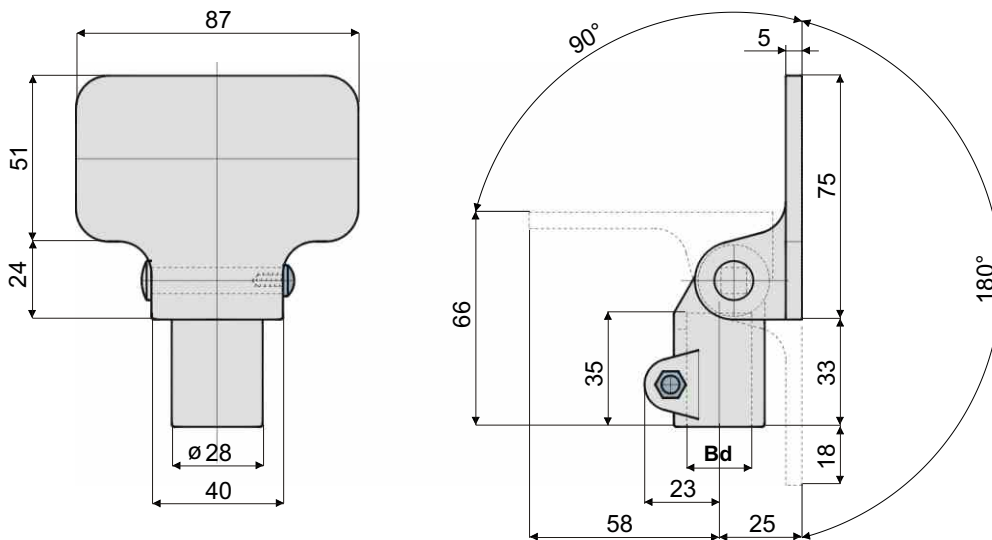
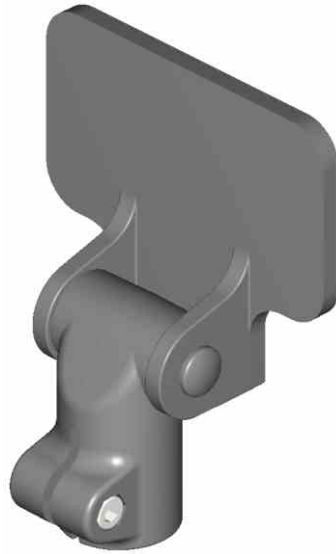


Clamp support for photocells (for photocells and reflectors)



Part. 206



Bd Bore for pin of (mm)	Code/Codice
14	206 / 80818
15	206 / 80819
16	206 / 80820
18	206 / 80821
20	206 / 80822

MATERIALS: Clamp made out of reinforced polyamide, bolts and nuts made out of stainless steel AISI 304.

FEATURES: Possibility of assembly in various positions.

PACKAGING: 24 pieces.

ON REQUEST:

Clamps: In reinforced polypropylene, other colours.

Packaging: Not standard.