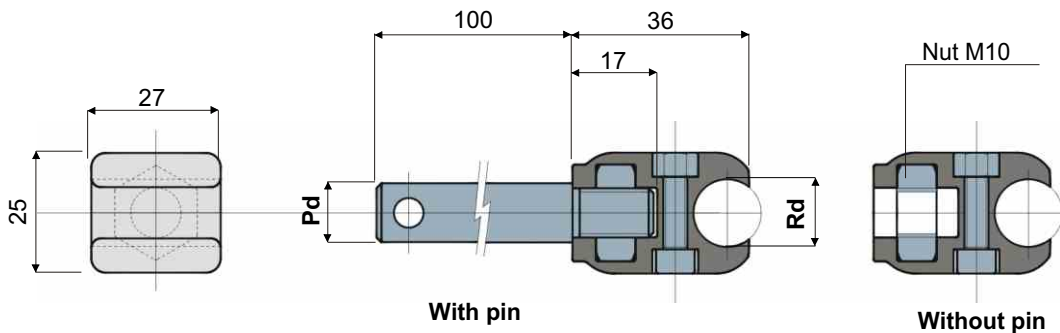
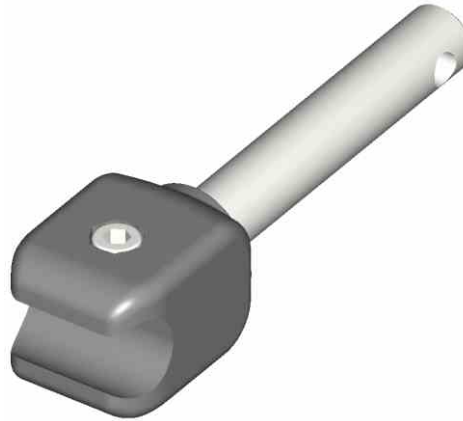


Guide rail clamp

(for round rail)

Part. 204



Pd Pin diameter (mm)	Rd Rail diameter (mm)	With pin	Rd	Without pin
		Code/Codice	Rail diameter (mm)	Code/Codice
12	8	204 / 80798	8	204 / 80810
	10	204 / 80799	10	204 / 80811
	12	204 / 80800	12	204 / 80812
	14	204 / 80801	14	204 / 80813
14	8	204 / 80802		
	10	204 / 80803		
	12	204 / 80804		
	14	204 / 80805		
16	8	204 / 80806		
	10	204 / 80807		
	12	204 / 80808		
	14	204 / 80809		

MATERIALS: Clamp made out of reinforced polyamide, pin, bolts and nuts made out of stainless steel AISI 304.

FEATURES: Supplied with or without support pin.

PACKAGING: 24 pieces.

ON REQUEST:

Clamps: In reinforced polypropylene, other colours.

Packaging: Not standard.