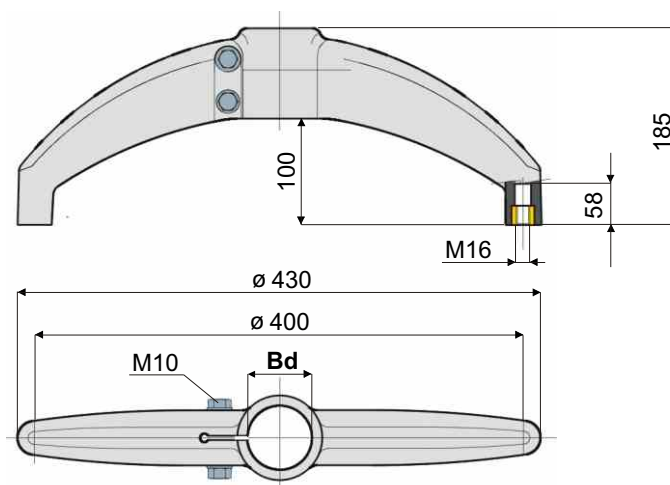


Support base

(bipod at 180°)

Part. 203



Bd Bore for tubes of (mm) (Inches)	Zinc plated bolts and nuts	Stainless steel bolts and nuts (AISI 304)	Tube unthreading load N	Max static load allowed N
	Code/Codice	Code/Codice		
60,3 2"	203 / 80632	203 / 80633	9600	15800
48,3 1"1/2	203 / 80634	203 / 80635		
42,4 1"1/4	203 / 80636	203 / 80637		

MATERIALS: Base made out of reinforced polyamide, threaded bushing made out of brass, fixing bolts and nuts made out of stainless steel or zinc plated steel.

FEATURES: Max tightening torque 3,6 kgm

PACKAGING: 8 pieces.

ON REQUEST:

Bases: In reinforced polypropylene, other colours.

Packaging: Not standard

Assembling of: Screws, nuts, washers