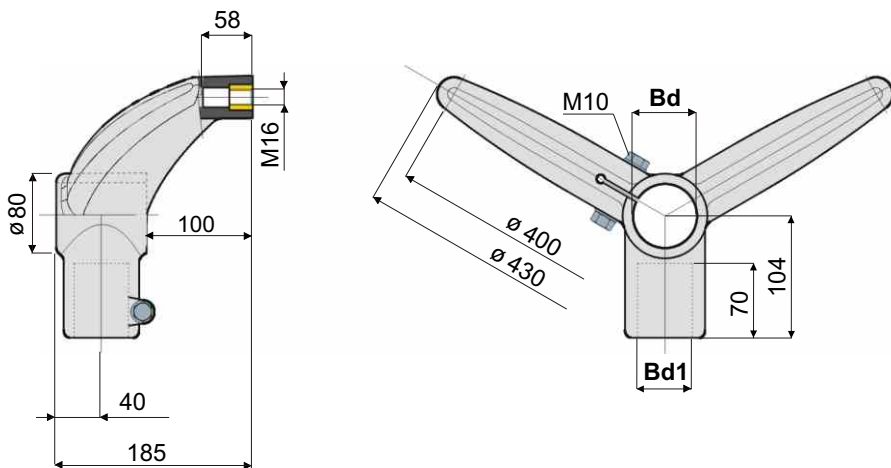
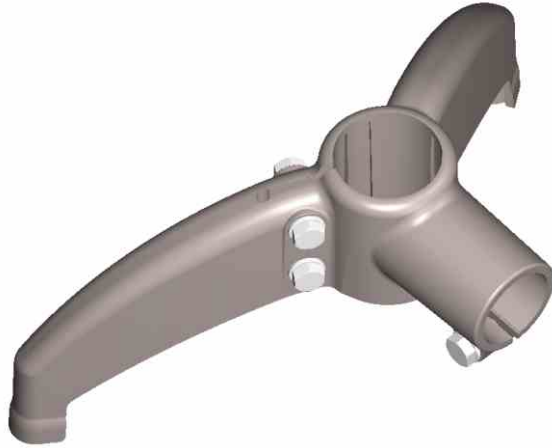


Support base

(bipod at 120°)

Part. 201



Bd	Bd1	Zinc plated bolts and nuts	Stainless steel bolts and nuts (AISI 304)	Tube unthreading load N	Max static load allowed N
Bore for tubes of		Code/Codice	Code/Codice		
(mm) (Inches)	(mm) (Inches)				
60,3 2"	48,3 1"1/2	201 / 80612	201 / 80613	9600	15800
60,3 2"	42,4 1"1/4	201 / 80614	201 / 80615		
48,3 1"1/2	48,3 1"1/2	201 / 80616	201 / 80617		
48,3 1"1/2	42,4 1"1/4	201 / 80618	201 / 80619		
42,4 1"1/4	42,4 1"1/4	201 / 80620	201 / 80621		

MATERIALS: Base made out of reinforced polyamide, threaded bushing made out of brass, fixing bolts and nuts made out of stainless steel or zinc plated steel.

FEATURES: Max tightening torque 3,6 kgm

PACKAGING: 8 pieces.

ON REQUEST:

Bases: In reinforced polypropylene, other colours.

Packaging: Not standard

Assembling of: Screws, nuts, washers