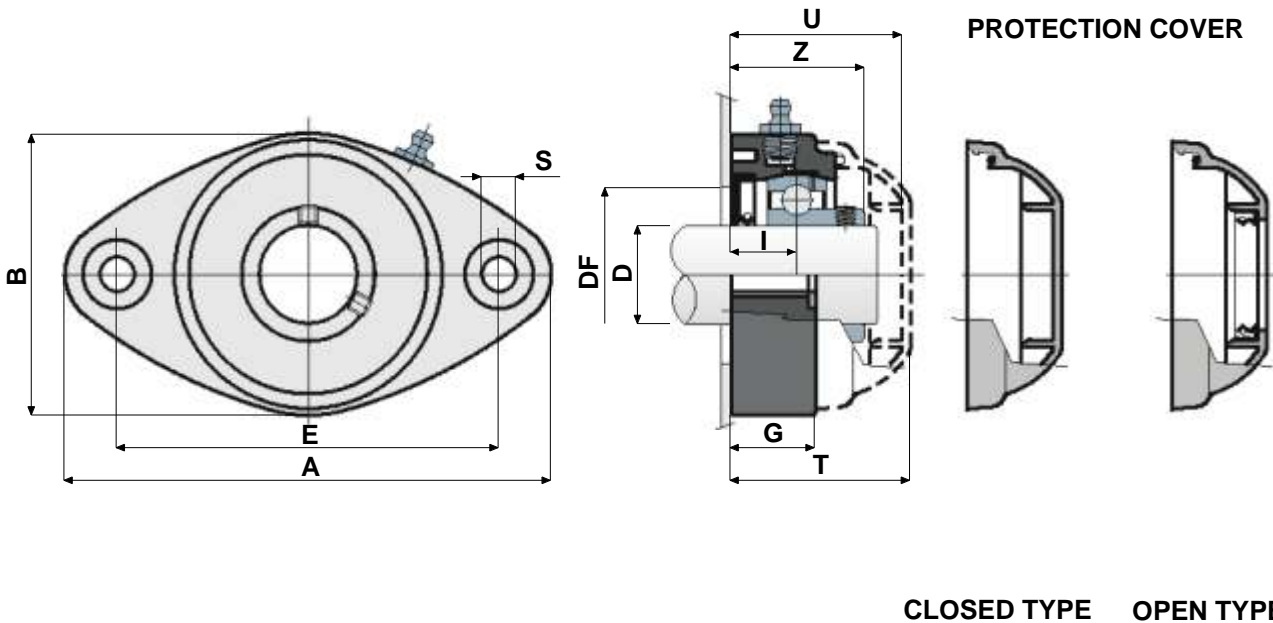


Technical data

UCFL/CX Series



CROME STEEL BEARING																		
D	SERIES	CODES Support	DIMENSIONS (mm)											Bearing load (N)		Bearing support load (N)	CODES Cover	
			E	A	B	S	G	I	Z	U	T	DF _{Max}	DF _{Min}	C	C ₀		CLOSED TYPE	OPEN TYPE
20	UCFL 204 CX	80264	90	118	64	10.5	19	15.5	33.5	44	46.5	45	40	12800	6600	8500	80254	80255
25	UCFL 205 CX	80181	99	131	72	10.5	22	17	36	47	49	50	45	14000	7800	10000	80075	80076
30	UCFL 206 CX	80182	117	149	86	10.5	26	20	41	54	56	60	50	19500	11300	13000	80011	80053
35	UCFL 207 CX	80183	130	163	94	10.5	26	20	45	57	59	70	55	25500	15300	14000	80077	80078

NEW STAINLESS STEEL BEARING AISI 440C																		
D	SERIES	CODES Support	DIMENSIONS (mm)											Bearing load (N)		Bearing support load (N)	CODES Cover	
			E	A	B	S	G	I	Z	U	T	DF _{Max}	DF _{Min}	C	C ₀		CLOSED TYPE	OPEN TYPE
20	UCFL 204 CX	81053	90	118	64	10.5	19	15.5	33.5	44	46.5	45	40	8300	6550	8500	80254	80255
25	UCFL 205 CX	81054	99	131	72	10.5	22	17	36	47	49	50	45	9150	7800	10000	80075	80076
30	UCFL 206 CX	81055	117	149	86	10.5	26	20	41	54	56	60	50	12500	11200	13000	80011	80053
35	UCFL 207 CX	81056	130	163	94	10.5	26	20	45	57	59	70	55	16600	15300	14000	80077	80078

MATERIALS : Support made out of PA+glass fiber; crome steel or stainless steel bearing; greaser made out of nickel plated brass; reinforcement bushings and washers made out of stainless steel AISI 304; gaskets made out of NBR rubber; cover made out of polypropylene, grey colour RAL 7042.

FEATURES: The difference from UCFL/C series is lack of protection cover which can be ordered separately as an accessory. Assembly with not shouldered shafts. Maximum shaft alignment error 2.5°.

PACKAGING: 8 pieces.

ON REQUEST : Antibacterial executions and versions with polypropylene + glass fiber support; protection cover in different colours and with personalized brand.