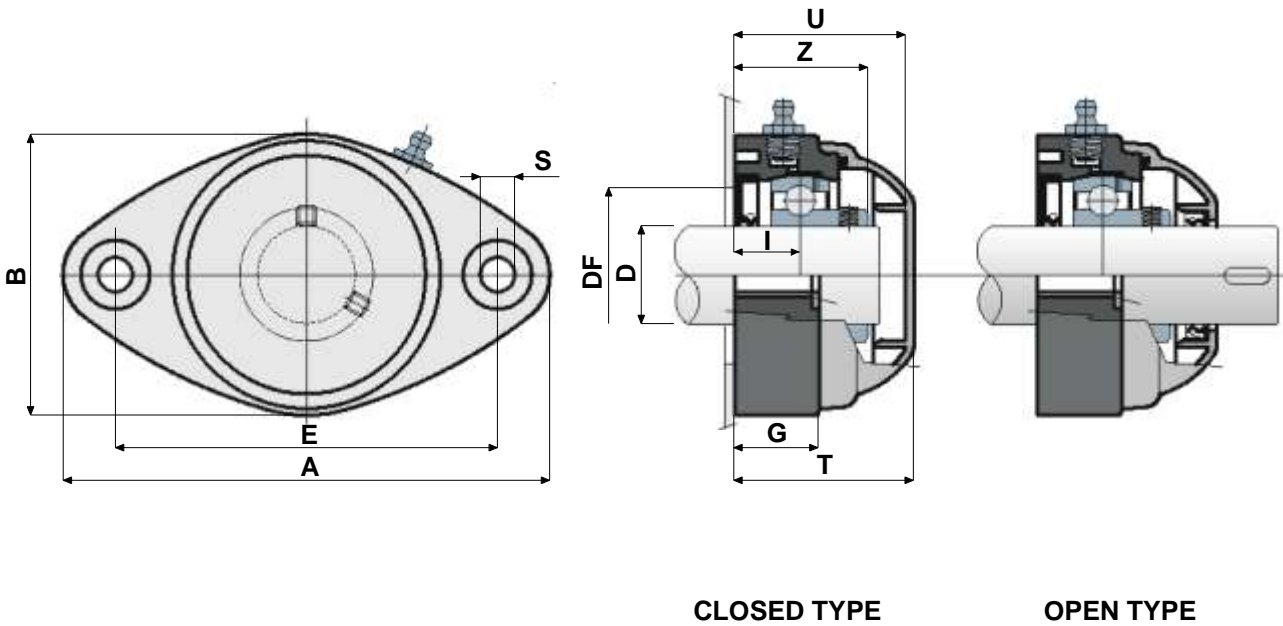


Technical data

UCFL/C Series



CLOSED TYPE

OPEN TYPE

CROME STEEL BEARING

D	SERIES	CODES		DIMENSIONS (mm)											Bearing load (N)		Bearing support load (N)
		CLOSED TYPE	OPEN TYPE	E	A	B	S	G	I	Z	U	T	DF		C	C ₀	
													Max	Min			
20	UCFL 204 C	80262	80263	90	118	64	10.5	19	15.5	33.5	44	46.5	45	40	12800	6600	8500
25	UCFL 205 C	80067	80071	99	131	72	10.5	22	17	36	47	49	50	45	14000	7800	10000
30	UCFL 206 C	80068	80072	117	149	86	10.5	26	20	41	54	56	60	50	19500	11300	13000
35	UCFL 207 C	80069	80073	130	163	94	10.5	26	20	45	57	59	70	55	25500	15300	14000

NEW

STAINLESS STEEL BEARING AISI 440C

D	SERIES	CODES		DIMENSIONS (mm)											Bearing load (N)		Bearing support load (N)
		CLOSED TYPE	OPEN TYPE	E	A	B	S	G	I	Z	U	T	DF		C	C ₀	
													Max	Min			
20	UCFL 204 C	81062	81063	90	118	64	10.5	19	15.5	33.5	44	46.5	45	40	8300	6550	8500
25	UCFL 205 C	81064	81065	99	131	72	10.5	22	17	36	47	49	50	45	9150	7800	10000
30	UCFL 206 C	81066	81067	117	149	86	10.5	26	20	41	54	56	60	50	12500	11200	13000
35	UCFL 207 C	81068	81069	130	163	94	10.5	26	20	45	57	59	70	55	16600	15300	14000

MATERIALS : Support made out of PA+glass fiber; chrome steel or stainless steel bearing; greaser made out of nickel plated brass; reinforcement bushings and washers made out of stainless steel AISI 304; gaskets made out of NBR rubber; cover made out of polypropylene, grey colour RAL 7042.

FEATURES: Full protection of bearing against external agents. Assembly with not shouldered shafts. Maximum shaft alignment error 2.5°.

PACKAGING: 8 pieces.

ON REQUEST : Antibacterial executions and versions with polypropylene + glass fiber support; protection cover in different colours and with personalized brand.