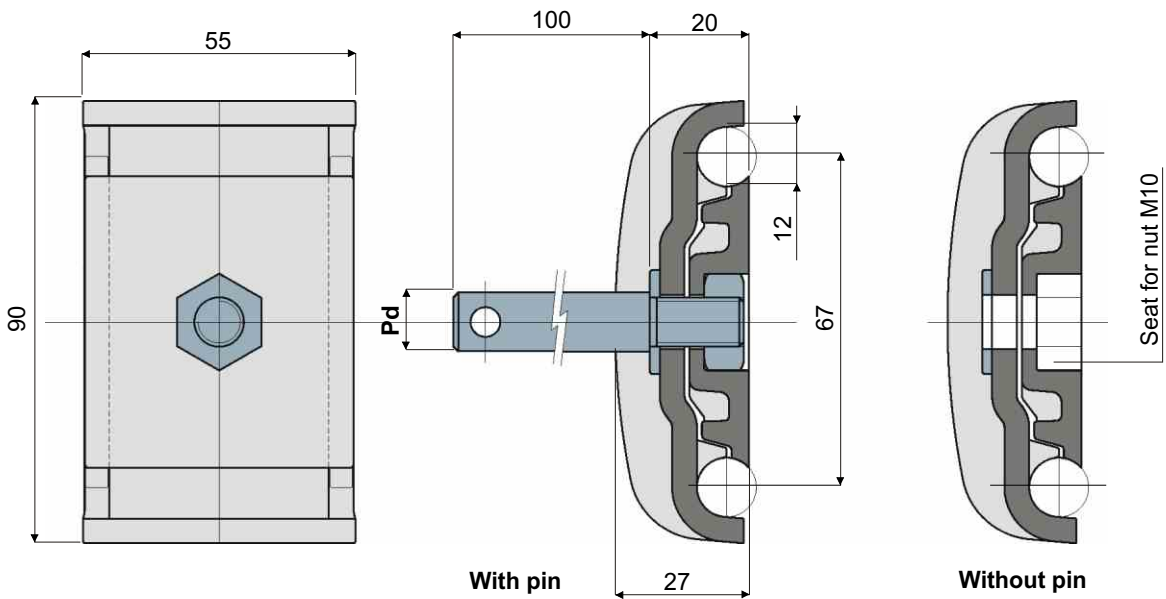
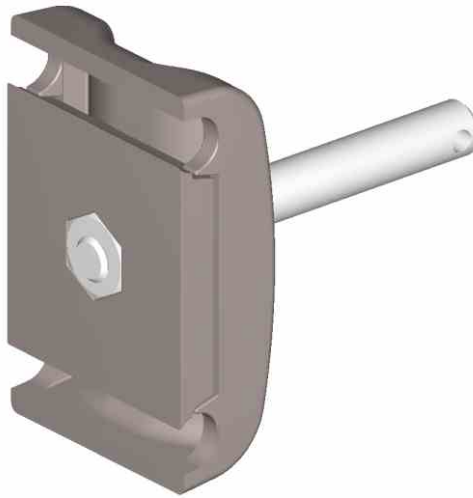


# Guide rail clamp

(for round rails)

Part. 229



Pd Pin diameter (mm)	With pin	Without pin
	Code/Codice	Code/Codice
12	229 / 80681	229 / 80609
14	229 / 80682	
16	229 / 80683	

**MATERIALS:** Clamp made out of reinforced polyamide, pin, nut and washer made out of stainless steel AISI 304.

**FEATURES:** Supplied with or without support pin.

**PACKAGING:** 24 pieces.

**ON REQUEST:**

**Clamps:** In reinforced polypropylene, other colours.

**Packaging:** Not standard.